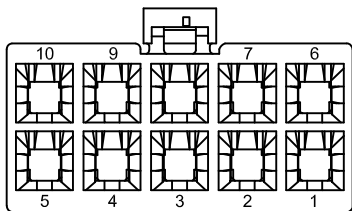
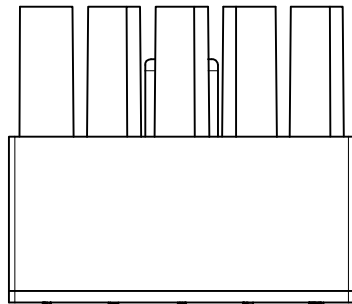
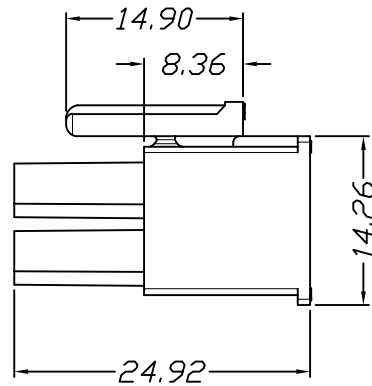
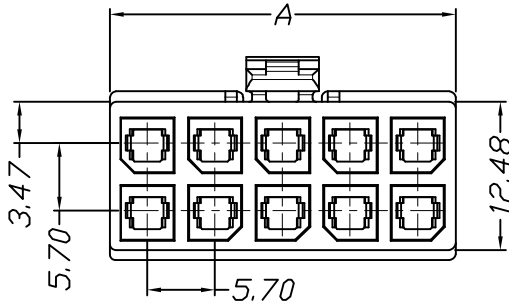
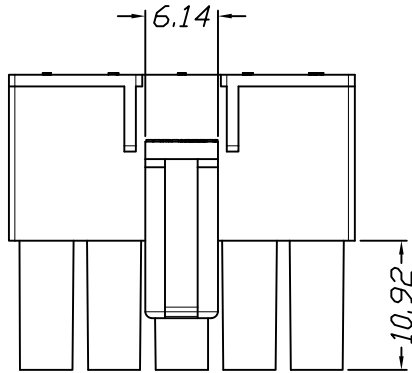


仅供参考

REV.	REVISION RECORD	DATE
A0	新图面发行	2017.06.16

Specifications:  
 Voltage Rating : 600V AC/DC  
 Current Rating : 10A AC,DC  
 Withstand Voltage : 2200V AC/minute  
 Contact Resistance : 10mΩ(MAX.)  
 Insulation Resistance : 1000MΩ(MIN.)  
 Temperature Range : -40°C~+120°C



Unit: mm

Part No.	Dimensions
	A
2*1P	8.35
2*2P	12.05
2*3P	17.75
2*4P	23.45±0.4
2*5P	29.15±0.4
2*6P	34.85±0.4

Material	Color
PBT,UL94V-0	Gray

	GENERAL TOLERANCES		SCALE: 1:1	NAME	DATE	深圳市思拓展电子有限公司 SHENZHEN SINOTOP ELECTRONICS CO., LTD 公司地址: www.szstuo.cn 公司电话: 0755-23765350 邮编: 2850175982@qq.com 公司传真: 0755-23765341	PART. NO:	
	LINEAR	ANGLES					STP45701H00-2XNP*-PT	
	0.0±0.35	X° REF±6°	APPROVED		DWG. NO:			
	UNIT: MM	0.00±0.25	X° ±3°	DESIGNER			TITLE:	REV: A0
SIZE: A4	0.000±0.15	X° X'±2°	DRAWN	肖坤权	2017.06.16	5.70mm pitch Dual Housing		