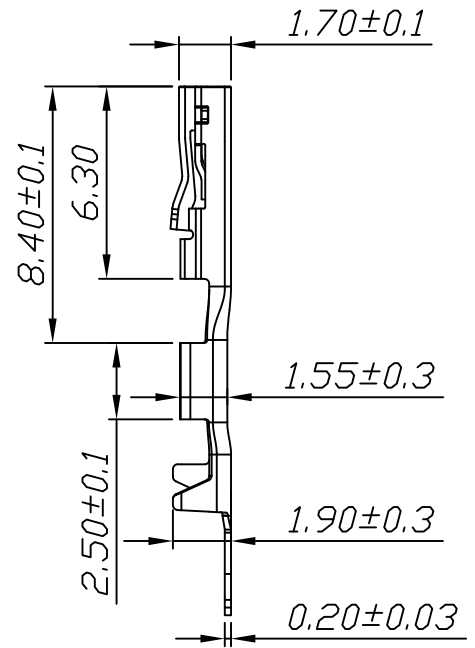
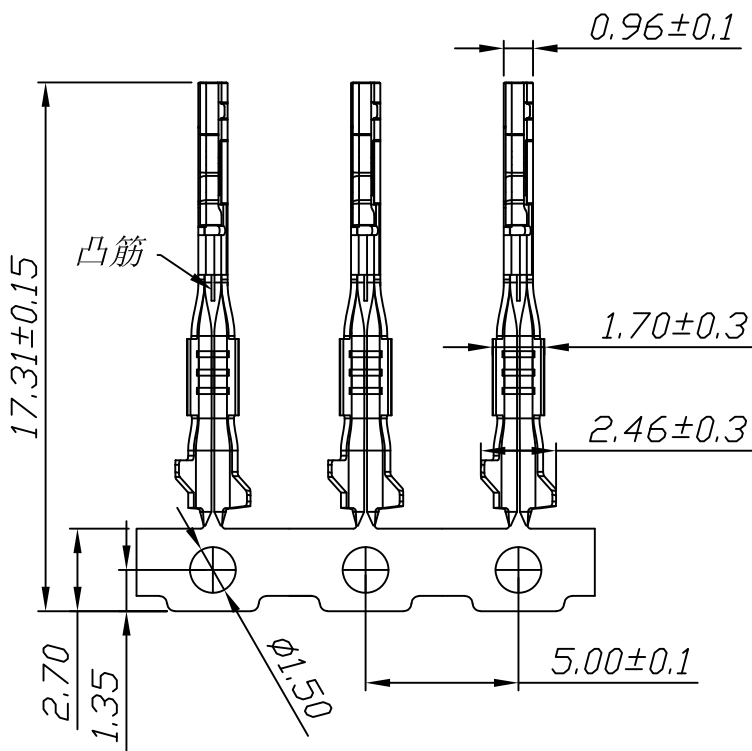
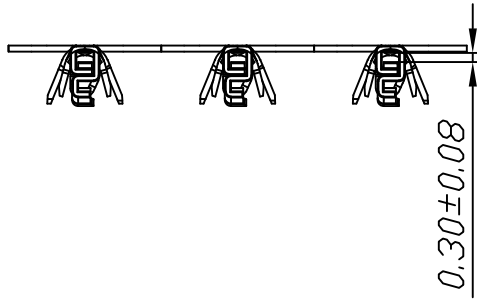


仅供参考

REV.	REVISION RECORD	DATE
A0	新图面发行	2017.06.16

Specifications:
 Voltage Rating : 250V AC/DC
 Current Rating : 1A AC,DC
 Withstand Voltage : 1000V AC/minute
 Contact Resistance : 20mΩ(MAX.)
 Insulation Resistance : 1000MΩ(MIN.)
 Temperature Range : -40°C~+120°C



Material	Finish
C5191R-1/2H (T=0.20)	Gold-plated

	GENERAL TOLERANCES		SCALE: 1:1	NAME	DATE
	LINEAR	ANGLES	APPROVED		
UNIT: MM	0.0±0.35	X° REF±6°	DESIGNER		
SIZE: A4	0.000±0.25	X° X'±3°	DRAWN	肖坤权	2017.06.16
	0.000±0.15	X° X'±2°			

深圳市思拓展电子有限公司
 SHENZHEN SINOTOP ELECTRONICS CO., LTD
 公司网址: www.szstuo.cn 公司电话: 0755-23765350
 邮箱: 2850175982@qq.com 公司传真: 0755-23765341

TITLE:
1.80mm PITCH Terminal

PART. NO:	STP41801T0P-**-B	
DWG. NO:		
REV:	A0	SHEET: 1/1