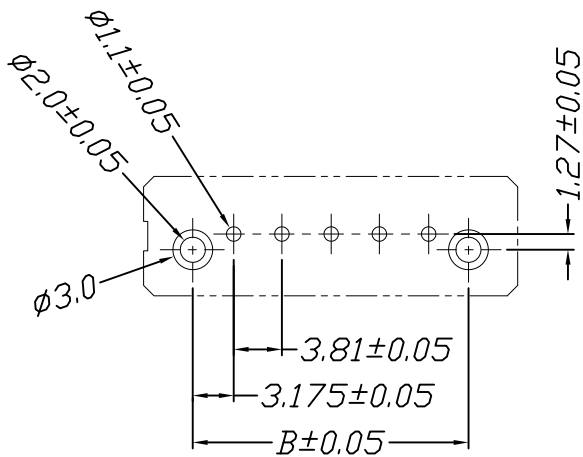
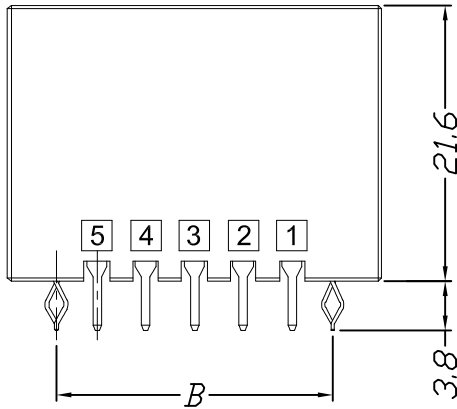
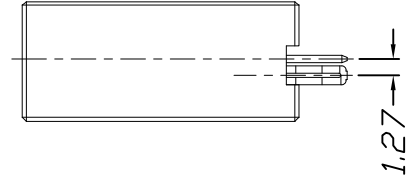
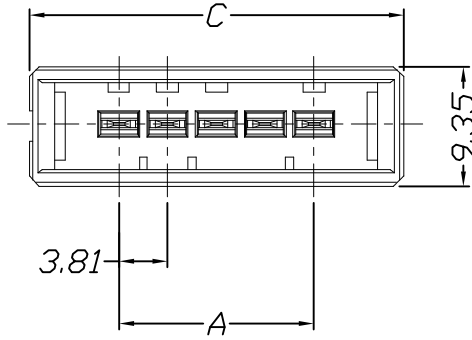
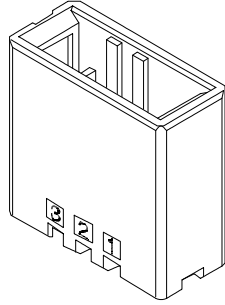


仅供参考

REV.	REVISION RECORD	DATE
A0	新图面发行	2017.06.16

Specifications:  
 Voltage Rating : 250V AC/DC  
 Current Rating : 8A AC,DC  
 Withstand Voltage : 1500V AC/minute  
 Contact Resistance : 40mΩ(MAX.)  
 Insulation Resistance : 1000MΩ(MIN.)  
 Temperature Range : -55°C~+105°C



P.C.B. LAYOUT

Poles	Dimensions		
	A	B	C
3P	7.62	13.97	21.62
4P	11.43	17.78	25.43
5P	15.24	21.59	29.24
6P	19.05	25.40	33.05
8P	26.67	33.02	40.67
10P	34.29	40.64	48.29

Material	Color	PIN Material
PBT or Nylon	Black	Brass/Tin-plated

	GENERAL TOLERANCES		SCALE: 1:1	NAME	DATE
	LINEAR	ANGLES			
	0.0 ± 0.35	X° REF ± 6°	APPROVED		
UNIT: MM	0.00 ± 0.25	X° ± 3°	DESIGNER		
SIZE: A4	0.000 ± 0.15	X° X' ± 2°	DRAWN	肖坤权	2017.06.16

深圳市思拓展电子有限公司  
 SHENZHEN SINOTOP ELECTRONICS CO., LTD  
 公司网址: [www.szsituo.cn](http://www.szsituo.cn) 公司电话: 0755-23765350  
 邮箱: 2850175982@qq.com 公司传真: 0755-23765341

TITLE:  
3.81mm Pitch 180° Single Wafer DIP Type

PART NO:	STP43811W00-NPA-A1-XX	
DWG NO:		
REV:	A0	SHEET: 1/1