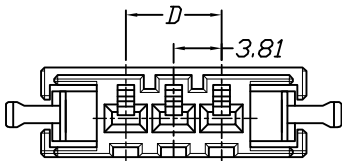
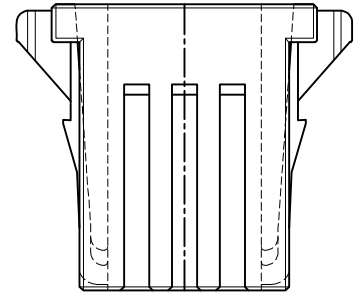
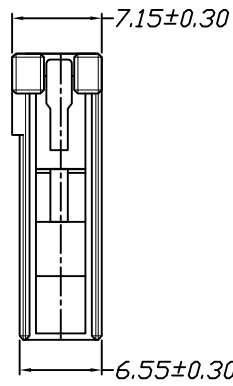
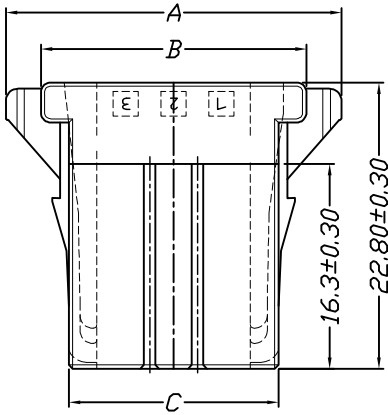
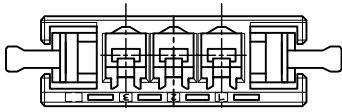
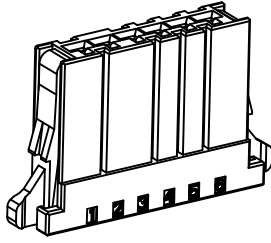


仅供参考

REV.	REVISION RECORD	DATE
A0	新图面发行	2017.06.16

Specifications:
 Voltage Rating : 250V AC/DC
 Current Rating : 8A AC,DC
 Withstand Voltage : 1500V AC/minute
 Contact Resistance : 40mΩ(MAX.)
 Insulation Resistance : 1000MΩ(MIN.)
 Temperature Range : -55°C~+105°C



Poles	Dimensions			
	A	B	C	D
10P	53.43	47.83	43.37	34.29
8P	45.81	40.12	25.97	26.67
6P	38.19	32.59	28.13	19.05
5P	34.38	28.78	24.32	15.24
4P	30.57	24.97	20.51	11.43
3P	26.76	21.16	16.7	7.62

Material	Color
PBT UL94V-0	BLACK

	GENERAL TOLERANCES		SCALE: 1:1	NAME	DATE	深圳市思拓展电子有限公司 SHENZHEN SINOTOP ELECTRONICS CO., LTD 公司地址: www.szstuo.cn 公司电话: 0755-23765350 邮 箱: 2850175982@qq.com 公司传真: 0755-23765341	PART. NO: STP43811H00-NPA-PT
	LINEAR	ANGLES					
UNIT: MM	0.00±0.25	X° REF±6°	DESIGNER			TITLE:	DWG. NO:
SIZE: A4	0.000±0.15	X° X'±2°	DRAWN	肖坤权	2017.06.16	3.81mm PITCH Housing	REV: A0 SHEET: 1/1