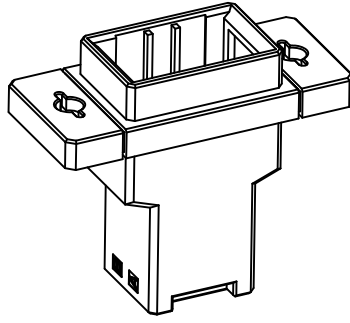
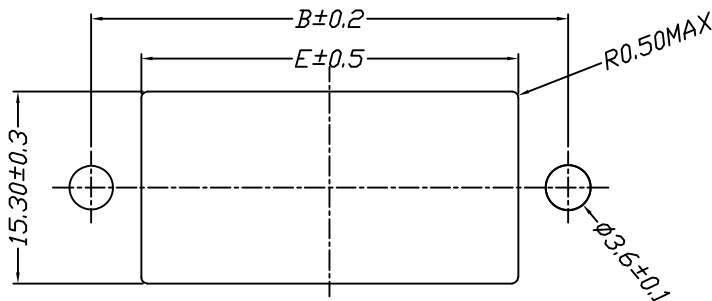
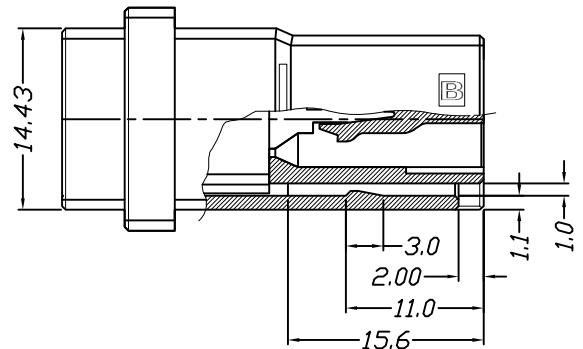
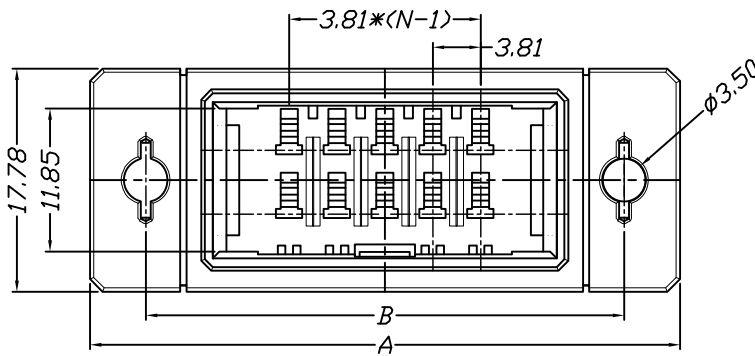
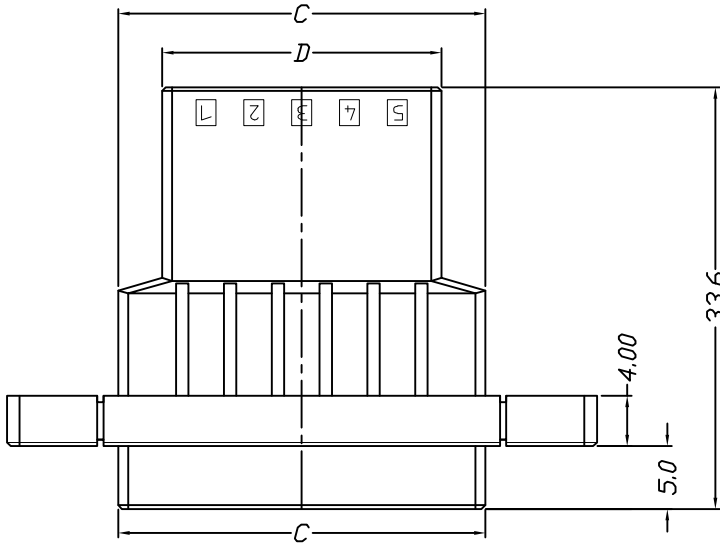


仅供参考

REV.	REVISION RECORD	DATE
A0	新图面发行	2017.06.16



Specifications:  
 Voltage Rating : 250V AC/DC  
 Current Rating : 8A AC,DC  
 Withstand Voltage : 1500V AC/minute  
 Contact Resistance : 40mΩ(MAX.)  
 Insulation Resistance : 1000MΩ(MIN.)  
 Temperature Range : -55°C~+105°C



RECOMMENDED PANEL LAYOUT

Poles	Dimensions				
	A	B	C	D	E
2*10P	67.0	58.0	48.29	41.29	49.2
2*8P	59.0	50.0	40.67	33.67	41.6
2*6P	51.0	42.0	33.05	26.05	34.0
2*5P	47.0	38.0	29.24	22.24	30.2
2*3P	40.0	31.0	21.62	14.62	22.6

Material	Color
PBT UL94V-0	BLACK

	GENERAL TOLERANCES		SCALE: 1:1	NAME	DATE	深圳市思拓展电子有限公司 SHENZHEN SINOTOP ELECTRONICS CO., LTD 公司地址: www.szstuo.cn 公司电话: 0755-23765350 邮编: 2850175982@qq.com 公司传真: 0755-23765341	PART. NO: STP33811H00-2XNPA-2-PT	
	LINEAR	ANGLES						APPROVED
UNIT: MM	0.00±0.25	X° REF±6°	DESIGNER			TITLE:	DWG. NO:	
SIZE: A4	0.000±0.15	X° X'±2°	DRAWN	肖坤权	2017.06.16	3.81mm PITCH Housing	REV: A0	SHEET: 1/1