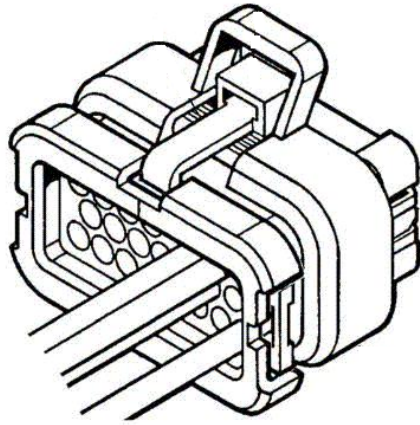
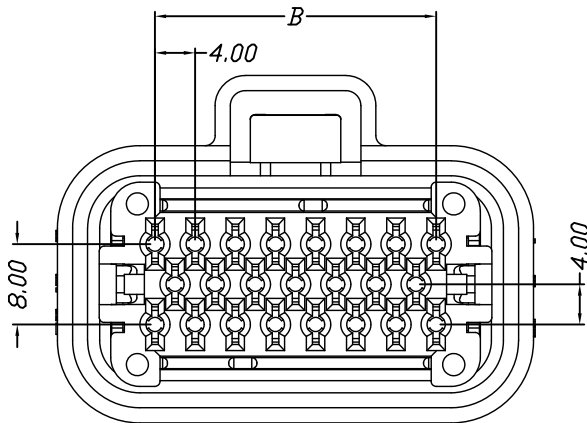
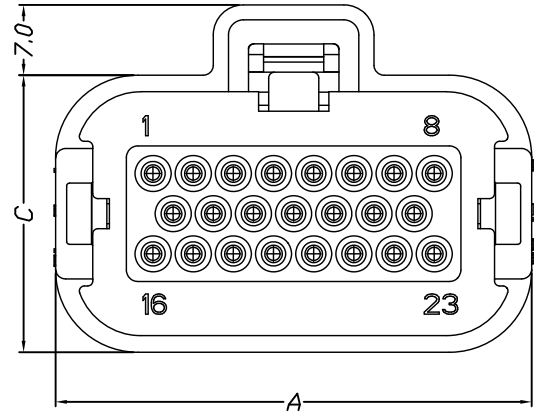
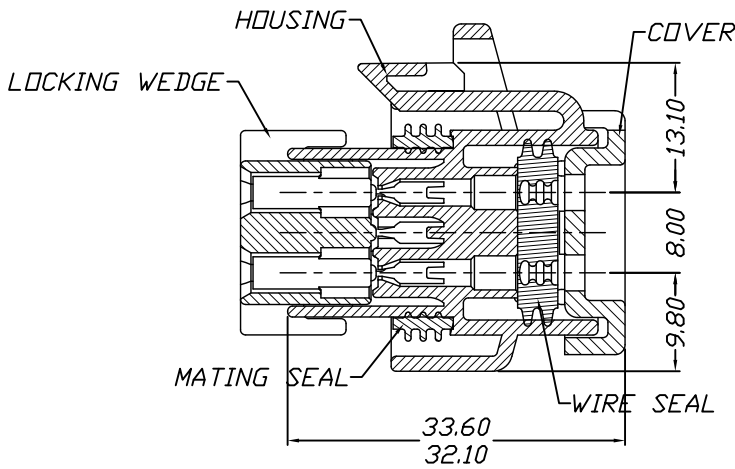


仅供参考

REV.	REVISION RECORD	DATE
A0	新图面发行	2017.06.16



Specifications:
 Voltage Rating : 600V AC/DC
 Current Rating : 8A AC,DC
 Withstand Voltage : 1500V AC/minute
 Contact Resistance : 40mΩ(MAX.)
 Insulation Resistance : 1000MΩ(MIN.)
 Temperature Range : -40°C~+105°C



Poles	A	B	C
8P	27.40	8.00	27.50
14P	35.40	16.00	27.60
23P	47.40	28.00	27.60
35P	63.40	44.00	27.45

Material	Color
PBT UL94V-0	BLACK

	GENERAL TOLERANCES		SCALE: 1:1	NAME	DATE	深圳市思拓展电子有限公司 SHENZHEN SINOTOP ELECTRONICS CO., LTD 公司地址: www.szstuo.cn 公司电话: 0755-23765350 邮箱: 2850175982@qq.com 公司传真: 0755-23765341	PART. NO: STP44002H00-NPX-ZH-PT
	LINEAR	ANGLES					
UNIT: MM	0.0±0.35	X° REF±6°	DESIGNER		TITLE:		DWG. NO:
SIZE: A4	0.000±0.15	X° X'±2°	DRAWN	肖坤权	2017.06.16	4.00mm PITCH Housing	REV: A0 SHEET: 1/1