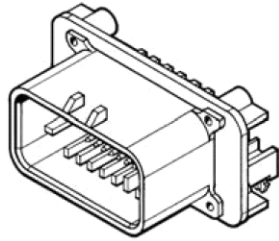
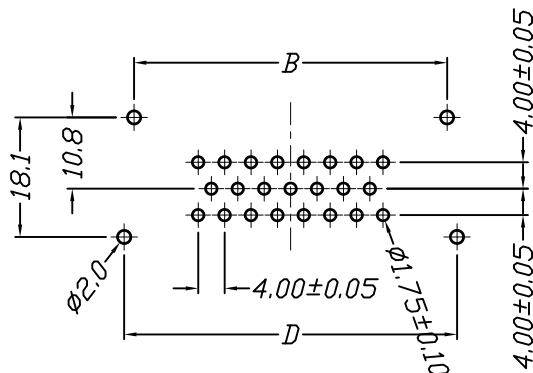
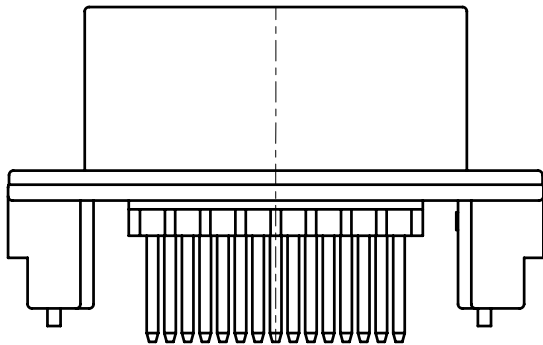
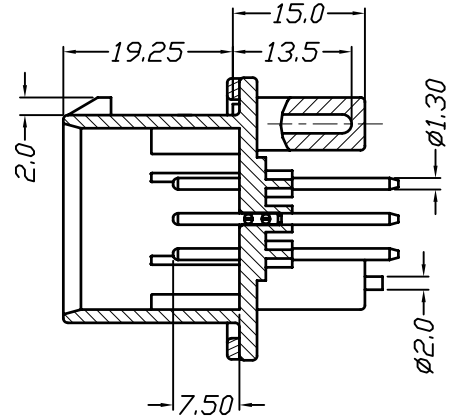
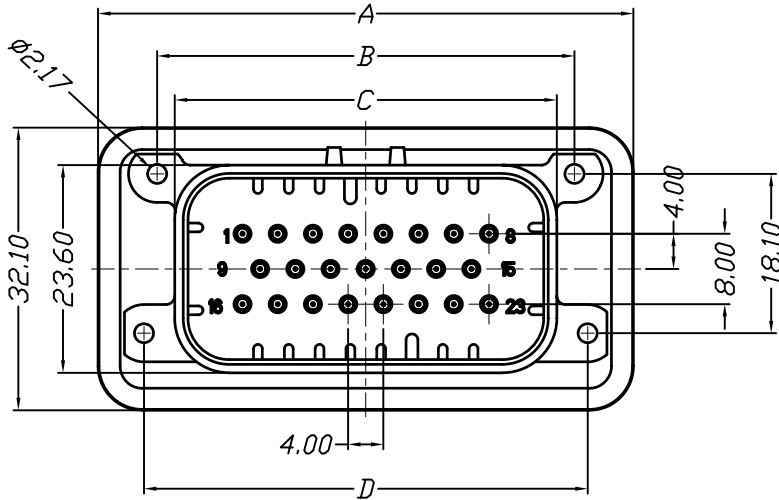


仅供参考

REV.	REVISION RECORD	DATE
A0	新图面发行	2017.06.16



Specifications:
 Voltage Rating : 600V AC/DC
 Current Rating : 8A AC,DC
 Withstand Voltage : 1500V AC/minute
 Contact Resistance : 40mΩ(MAX.)
 Insulation Resistance : 1000MΩ(MIN.)
 Temperature Range : -40°C~+105°C



P.C.B. LAYOUT

Poles	A	B	C	D
8P	40.80	27.40	23.40	30.40
14P	48.80	35.40	31.40	38.40
23P	60.80	47.40	43.40	50.40
35P	76.90	63.40	59.40	66.40

Material	Color	PIN Material
PBT or Nylon	Black	Brass/Tin-plated

	GENERAL TOLERANCES		SCALE: 1:1	NAME	DATE
	LINEAR	ANGLES	APPROVED		
UNIT: MM	0.0±0.35	X° REF±6°	DESIGNER		
SIZE: A4	0.00±0.25	X° ±3°	DRAWN	肖坤权	2017.06.16
	0.000±0.15	X° X'±2°			

深圳市思拓展电子有限公司
 SHENZHEN SINOTOP ELECTRONICS CO., LTD
 公司网址: www.szsituo.cn 公司电话: 0755-23765350
 邮 箱: 2850175982@qq.com 公司传真: 0755-23765341

TITLE:
4.00mm Pitch 180° Triple Row Wafer DIP Type

PART. NO:	STP44002W00-NPX-A1-XX	
DWG. NO:		
REV:	A0	SHEET: 1/1