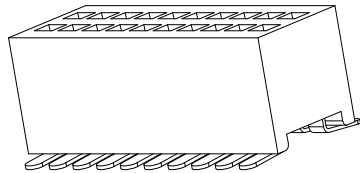
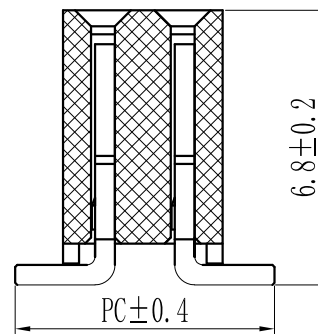
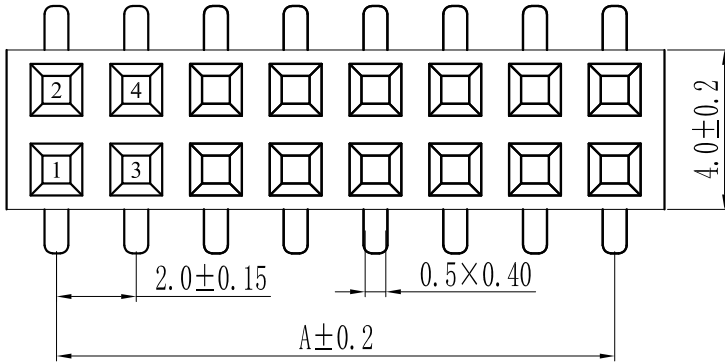


仅供参考

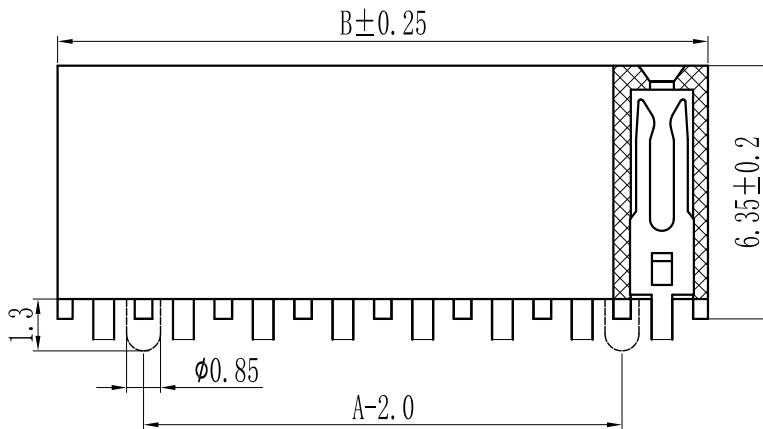
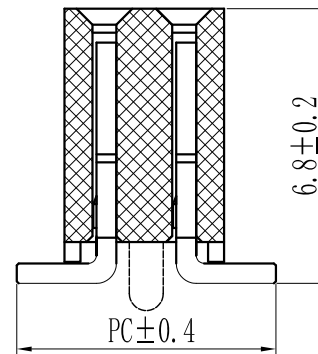
REV.	REVISION RECORD	DATE
A0	新图面发行	2017.06.16



Specification:  
 Current Rating : 2AMP  
 Temperature Range : -40°C to +105°C  
 Contact Resistance : 20mΩ Max  
 Insulation Resistance : 1000MΩ Min  
 Withstanding Voltage : AC 500V  
 Material:  
 Insulator : Polyester (UL94V-0)  
 Standard: PA6T/LCP  
 Contact: Bronze  
 Plating : Au or Sn Over 50u" Ni

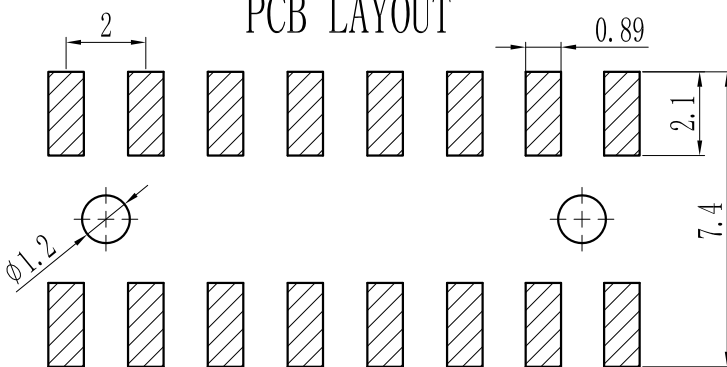


Pin数	尺寸A	尺寸B
2×3	4.0	6.0
2×4	6.0	8.0
2×5	8.0	10.0
2×6	10.0	12.0
2×7	12.0	14.0
2×8	14.0	16.0
2×9	16.0	18.0
2×10	18.0	20.0
2×11	20.0	22.0
2×12	22.0	24.0
2×13	24.0	26.0
2×14	26.0	28.0
2×15	28.0	30.0
2×16	30.0	32.0
2×17	32.0	34.0
2×18	34.0	36.0
2×19	36.0	38.0
2×20	38.0	40.0
2×21	40.0	42.0
2×22	42.0	44.0
2×23	44.0	46.0
2×24	46.0	48.0
2×25	48.0	50.0
2×26	50.0	52.0
2×27	52.0	54.0
2×28	54.0	56.0
2×29	56.0	58.0
2×30	58.0	60.0
2×31	60.0	62.0
2×32	62.0	64.0
2×33	64.0	66.0
2×34	66.0	68.0
2×35	68.0	70.0
2×36	70.0	72.0
2×37	72.0	74.0
2×38	74.0	76.0
2×39	76.0	78.0
2×40	78.0	80.0



PC
6.2
7.2
7.8

PCB LAYOUT



	GENERAL TOLERANCES		SCALE: 1:1	NAME	DATE	深圳市思拓展电子有限公司 SHENZHEN SINOTOP ELECTRONICS CO., LTD 公司网址: www.szsituo.cn      公司电话: 0755-23765350 邮 箱: 2850175982@qq.com      公司传真: 0755-23765341	PART. NO:
	LINEAR	ANGLES	APPROVED				ST-FH-200-0094
	0.0±0.30	X° REF±6°	DESIGNER				DWG. NO:
	UNIT: MM	0.00±0.20	X° ±3°	DRAWN	肖坤权		2017.06.16
SIZE: A4	0.000±0.10	X° X'±2°				TITLE:	SHEET: 1/1
						Pitch2.0mm Female Header, Dual Row, Plastic Height 6.35mm, SMT Type(Y) (with local Peg)	