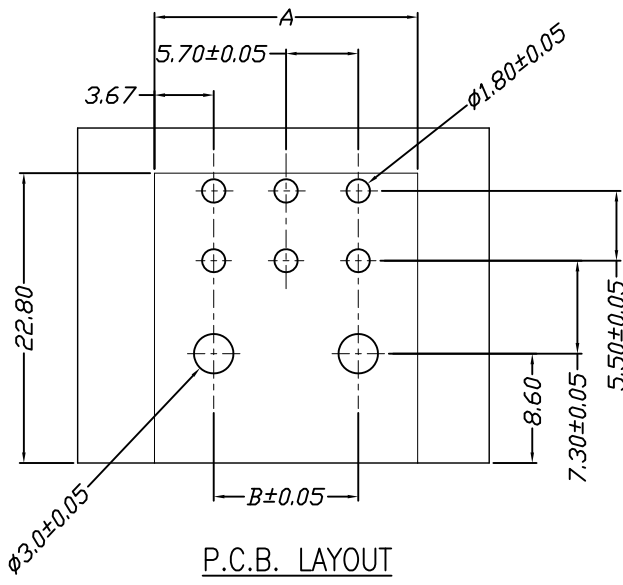
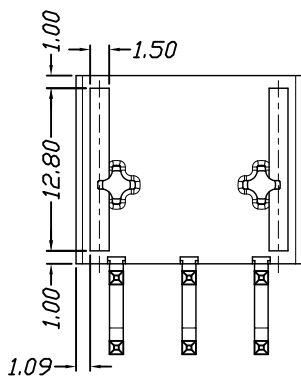
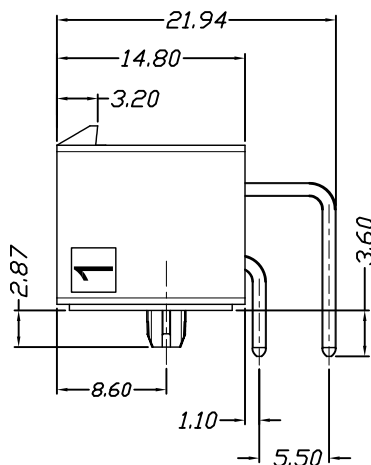
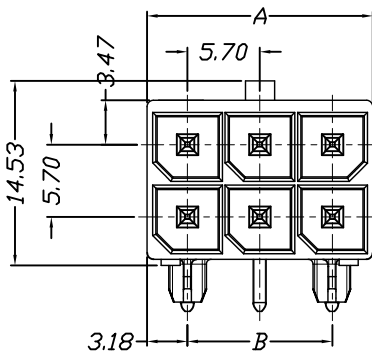
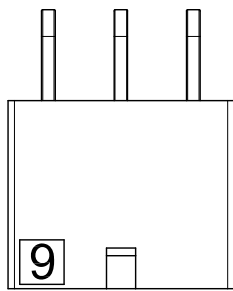


仅供参考

REV.	REVISION RECORD	DATE
A0	新图面发行	2017.06.16

Specifications:

Voltage Rating : 600V AC/DC
 Current Rating : 10A AC,DC
 Withstand Voltage : 2200V AC/minute
 Contact Resistance : 10mΩ(MAX.)
 Insulation Resistance : 1000MΩ(MIN.)
 Temperature Range : -40°C~+120°C



Unit: mm

Part No.	A	B
2*1P	8.35	N/A
2*2P	12.05	N/A
2*3P	17.75	11.40
2*4P	23.45	17.10
2*5P	29.15	22.80
2*6P	34.85	28.50

Material	Color	PIN Material
PBT,UL94V-0	Gray	Brass/Gold&Ni-plated

	GENERAL TOLERANCES		SCALE: 1:1	NAME	DATE
	LINEAR	ANGLES			
	0.0±0.35	X° REF±6°	APPROVED		
UNIT: MM	0.00±0.25	X° ±3°	DESIGNER		
SIZE: A4	0.000±0.15	X° X'±2°	DRAWN	肖坤权	2017.06.16

深圳市思拓展电子有限公司
 SHENZHEN SINOTOP ELECTRONICS CO., LTD
 公司网址: www.szstuo.cn 公司电话: 0755-23765350
 邮箱: 2850175982@qq.com 公司传真: 0755-23765341

TITLE: 5.70mm pitch Dual Wafer

PART. NO:	STP45701W90-2XNP*-A1-**	
DWG. NO:		
REV:	A0	SHEET: 1/1