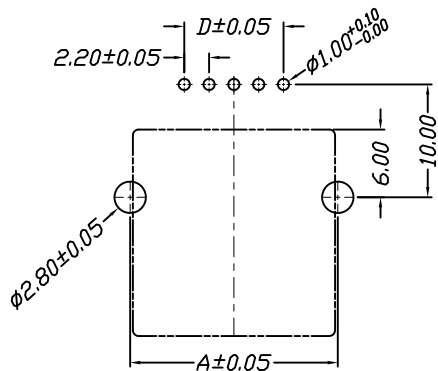
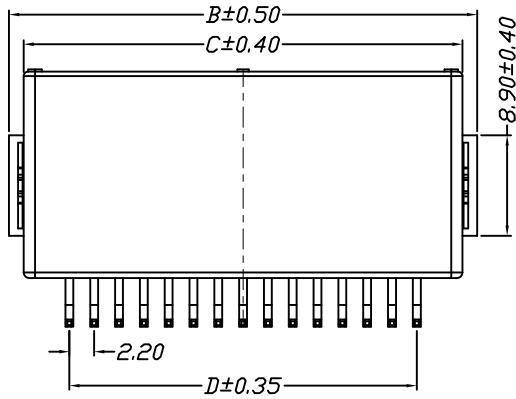
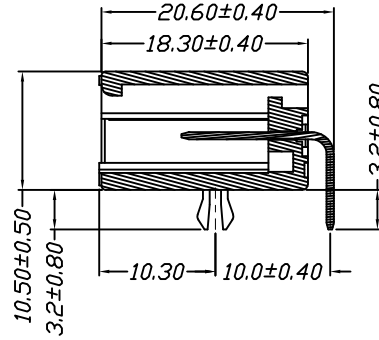
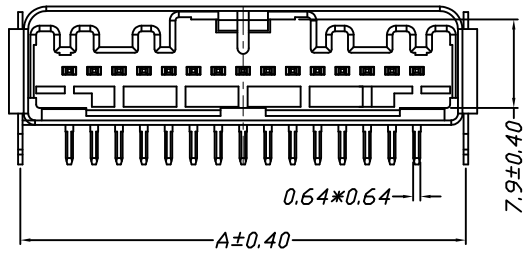
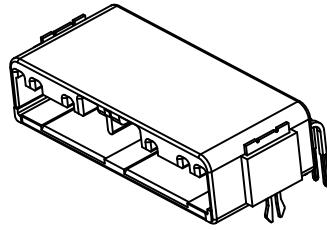


仅供参考

REV.	REVISION RECORD	DATE
A0	新图面发行	2017.06.16

Specifications:  
 Voltage Rating : 250V AC/DC  
 Current Rating : 3A AC,DC  
 Withstand Voltage : 1000V AC/minute  
 Contact Resistance : 30mΩ(MAX.)  
 Insulation Resistance : 1000MΩ(MIN.)  
 Temperature Range : -40°C~+85°C



P.C.B. LAYOUT

Poles	Dimensions			
	A	B	C	D
3P	14.00	16.00	13.40	4.40
5P	18.40	20.40	17.80	8.80
7P	22.80	24.80	22.20	13.20
9P	27.20	29.20	26.60	17.60
11P	31.60	33.60	31.00	22.00
13P	36.00	38.00	35.40	26.40
15P	40.40	42.40	39.80	30.80

Material	Color	PIN Material
PBT or Nylon	Grey	Brass/Tin-plated

	GENERAL TOLERANCES		SCALE: 1:1	NAME	DATE	深圳市思拓展电子有限公司 SHENZHEN SINOTOP ELECTRONICS CO., LTD 公司地址: WWW.SZSITUAO.CN 公司电话: 0755-23765350 邮箱: 2850175982@qq.com 公司传真: 0755-23765341	PART. NO: STP42202W90-NPX-A1-XX	
	LINEAR	ANGLES						APPROVED
UNIT: MM	0.00±0.25	X° REF±6°	DESIGNER			TITLE:	DWG. NO:	
SIZE: A4	0.000±0.15	X° X'±2°	DRAWN	肖坤权	2017.06.16	2.20mm Pitch 90° Dula Wafer DIP Type	REV: A0	SHEET: 1/1