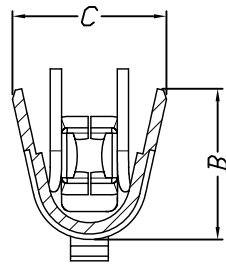
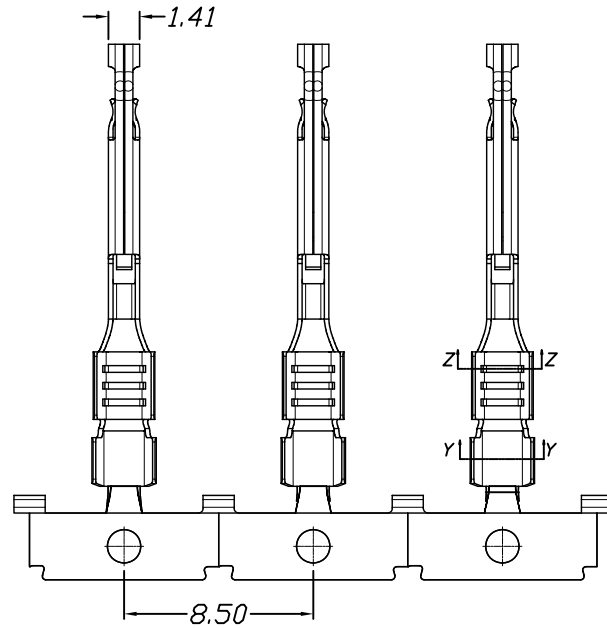
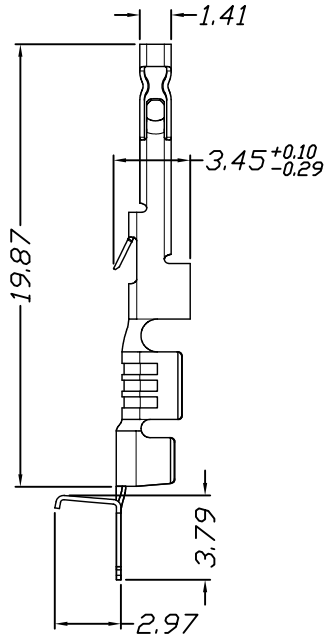


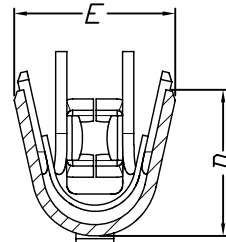
仅供参考

REV.	REVISION RECORD	DATE
A0	新图面发行	2017.06.16

Specifications:  
 Voltage Rating : 250V AC/DC  
 Current Rating : 7A AC,DC  
 Withstand Voltage : 1500V AC/minute  
 Contact Resistance : 40mΩ(MAX.)  
 Insulation Resistance : 1000MΩ(MIN.)  
 Temperature Range : -40°C~+120°C



SECTION Z-Z



SECTION Y-Y

Part No.	Dimensions			
	B	C	D	E
43501TOP-**	2.71	2.77	2.63	2.89
423501T1P-**	2.16	2.20	2.08	2.33

Part No	Wire Range	Insulation O. D.	Material	Finish	Qty/Reel
43501TOP-**	AWG #16~#18	1.70mm Max	Phosphor bronze	Au or Sn	
423501T1P-**	AWG #20~#22	1.30mm Max			

	GENERAL TOLERANCES		SCALE: 1:1	NAME	DATE	深圳市思拓展电子有限公司 SHENZHEN SINOTOP ELECTRONICS CO., LTD 公司网址: www.szsituo.cn 公司电话: 0755-23765350 邮箱: 2850175982@qq.com 公司传真: 0755-23765341	PART. NO: STP43501XP-XX	
	LINEAR	ANGLES	APPROVED				DWG. NO:	
	0.0±0.35	X° REF±6°	DESIGNER				REV: A0 SHEET: 1/1	
	UNIT: MM	0.00±0.25	X° ±3°	DRAWN	肖坤权		2017.06.16	TITLE: 3.50mm PITCH Crimp Terminal
SIZE: A4	0.000±0.15	X° X'±2°						