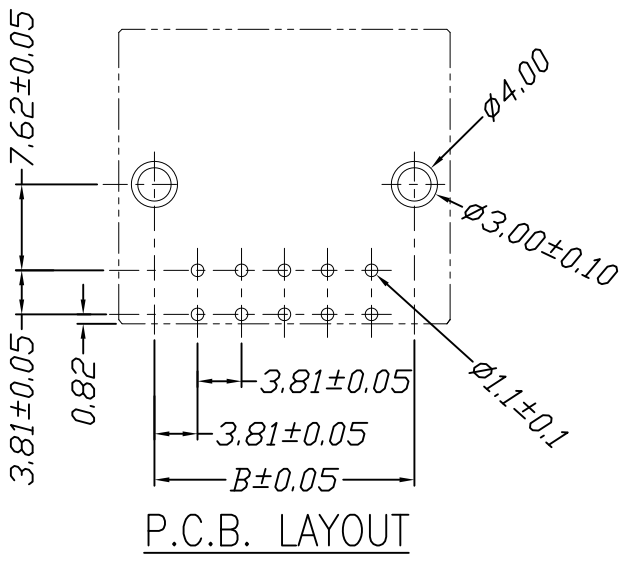
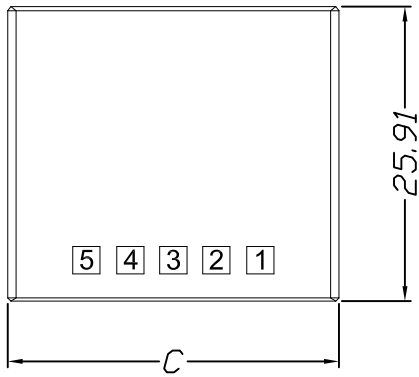
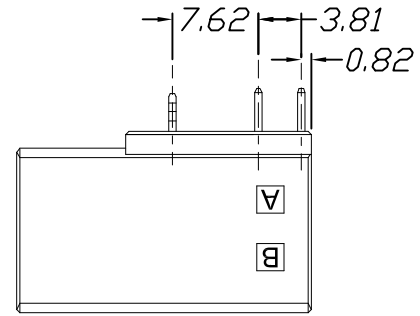
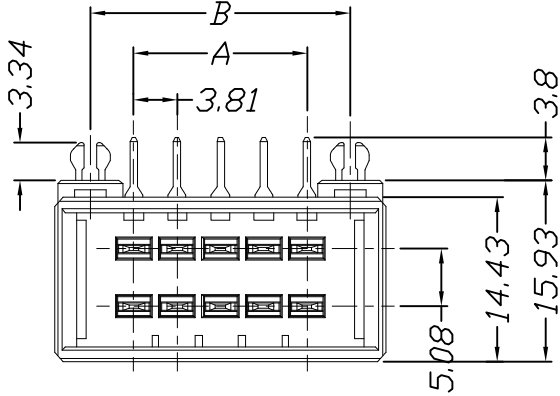
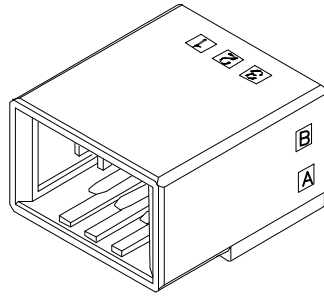


仅供参考

REV.	REVISION RECORD	DATE
A0	新图面发行	2017.06.16

Specifications:  
 Voltage Rating : 250V AC/DC  
 Current Rating : 8A AC,DC  
 Withstand Voltage : 1500V AC/minute  
 Contact Resistance : 40mΩ(MAX.)  
 Insulation Resistance : 1000MΩ(MIN.)  
 Temperature Range : -55°C~+105°C



Poles	Dimensions		
	A	B	C
2*3P	7.62	15.24	21.62
2*4P	11.43	19.05	25.43
2*5P	15.24	22.86	29.24
2*6P	19.05	26.67	33.05
2*8P	26.67	34.29	40.67
2*10P	34.29	41.91	48.29

Material	Color	PIN Material
PBT	Black	Brass/Tin-plated

	GENERAL TOLERANCES		SCALE: 1:1	NAME	DATE	深圳市思拓展电子有限公司 SHENZHEN SINOTOP ELECTRONICS CO., LTD 公司地址: WWW.SZSITUAO.CN 公司电话: 0755-23765350 邮 箱: 2850175982@qq.com 公司传真: 0755-23765341	PART. NO:	
	LINEAR	ANGLES	APPROVED				STP43811W90-2XNPA-A1-XX	
UNIT: MM	0.00±0.25	X° ±3°	DESIGNER			TITLE:	DWG. NO:	
SIZE: A4	0.000±0.15	X° X' ±2°	DRAWN	肖坤权	2017.06.16	3.81mm Pitch 90° Dual Wafer DIP Type	REV: A0	SHEET: 1/1